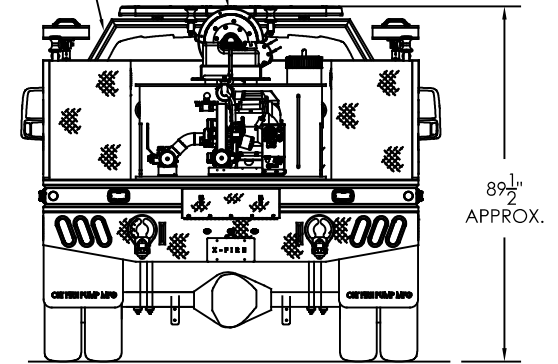
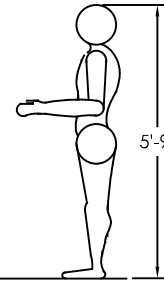
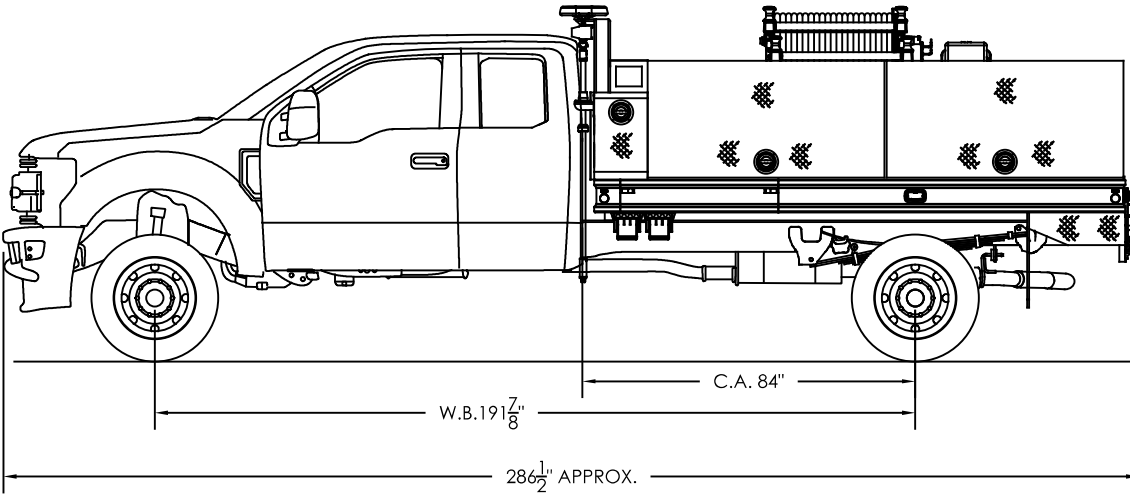



SKID UNIT DRAWING: DP-8838-0701
 FLATBED DRAWING: FA-2268-0701



DRAWING FOR REFERENCE ONLY

	CREATED BY: M.V. DATE: 2026-02-24	TITLE : C.E.T. GLIDER KIT - Bay County Emergency Services		WARNING THIS DOCUMENT REMAINS THE PROPERTY OF C.E.T. FIRE PUMPS MFG. ALL REPRODUCTION WITHOUT WRITTEN AGREEMENT FROM C.E.T. FIRE PUMPS MFG IS TOTALLY PROHIBITED.
	VERIFIED BY: M.V. DATE: 20__-__-__	No: FA-2276	PRODUCTION #: N/A	